

BRONZE BOOSTER PUMP AP6B78-810

(PART NUMBER) > AP6B78-810



PUMP SPECIFICATIONS:

TypeAP6B78-810

Max. flow 35 m³/hour

Connections 2" BSP

Electric motor 2.2 kW - 2 pole

Voltage 230/400V

Pump casing finish . Sprayed in RAL 5010

Weight (net)..... 45 kg

MaterialsBronze

Free passage 25 mm

Pump speed 2850 rpm

STANDARD TECHNICAL SPECIFICATIONS

TypeAP6B78-810

Max. flow35 m³/hour

Pump speed..... 2850 rpm

Connections 2" BSP

Max. head 18 mwc

Free passage 25 mm

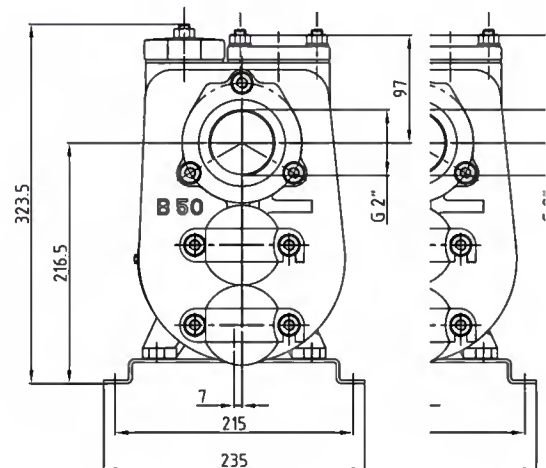
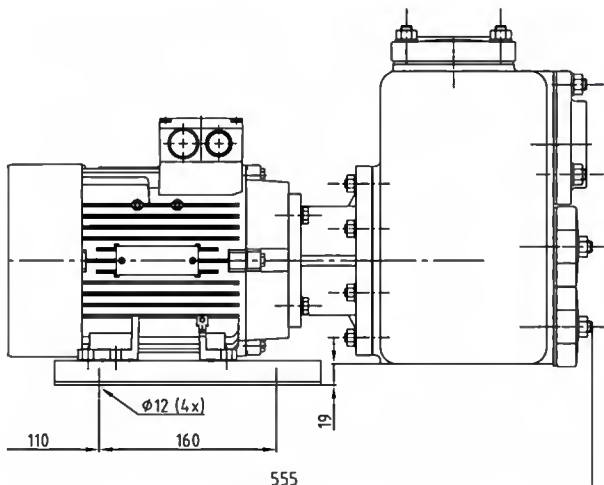
Electric motor

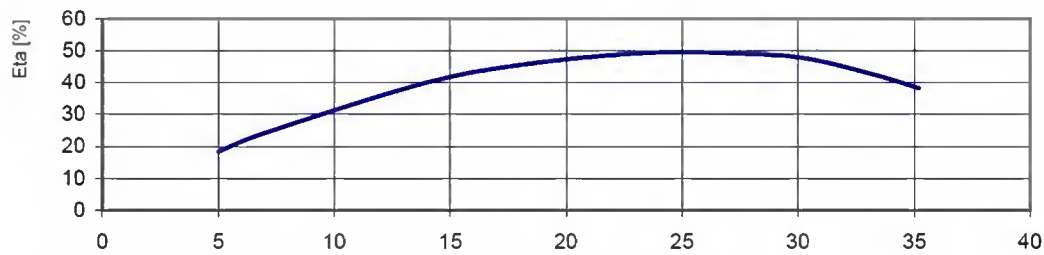
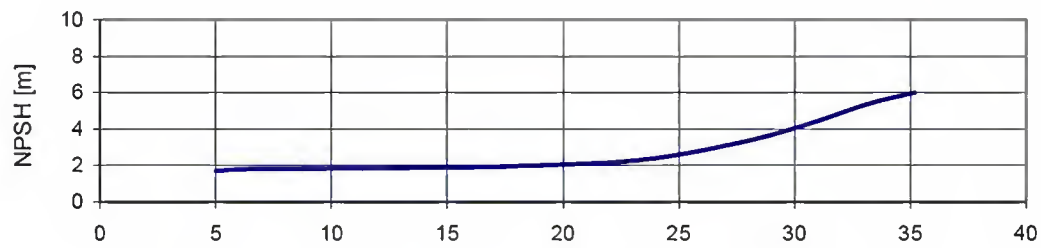
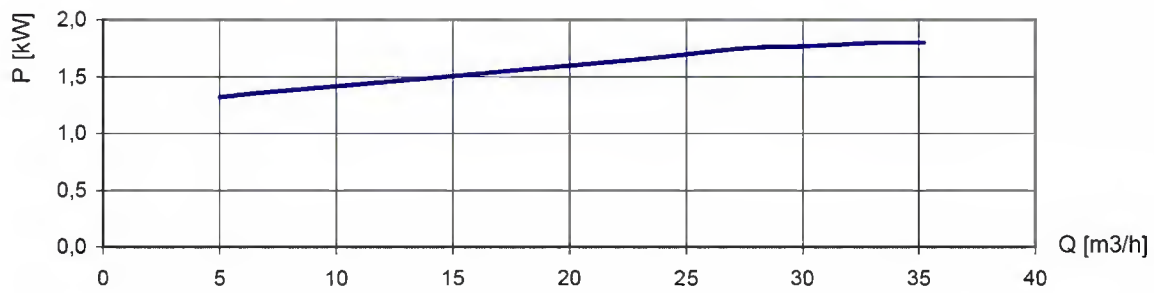
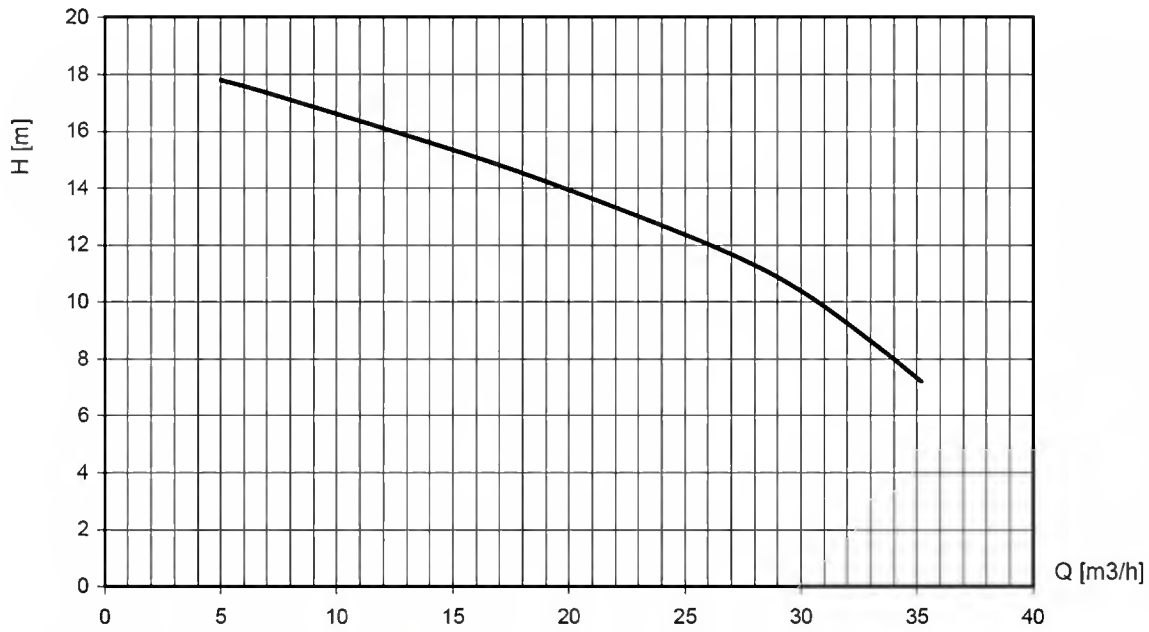
Voltage 230/400 V

Frequency 50 Hz

Power 2.2 kW – 2 pole

Mounting A3/B14P, IP55, ISO F





Kindly send us your offer urgently with pricing and available of 40X
Bronze Booster Pump AP6B78-810
 Please, send us your offer as soon as possible. Thank you